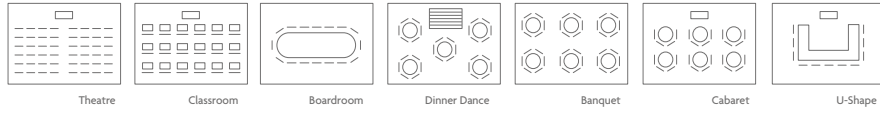


PRINCIPAL

YORK

CAPACITIES & DIMENSIONS



CAPACITY

Room Name	Floor	Theatre	Cabaret	Classroom	Boardroom	U Shape	Dinner	Dinner dance	Reception	Exhibition space sqm
Events Centre	GF	400	150	150	-	-	220	200	220	285.66
Oak	GF	160	80	80	40	40	120	120	120	161.3
Crown	1F	85	40	35	30	30	50	-	50	84.55
Wedgewood	1F	85	40	35	30	30	50	-	50	84.16
Minster	GF	60	32	24	25	24	40	-	60	83.8
Ebor	GF	60	32	24	20	20	40	-	60	96.3
Leeman	GF	20	-	-	14	-	-	-	-	14.52
Dante	GF	20	-	-	12	-	-	-	-	-
Jorvik	LG	50	32	24	20	20	-	-	-	64.73
Tiles	LG	30	-	20	20	14	-	-	-	-
Clifford	GF	20	-	-	14	8	-	-	-	48

TECHNICAL INFORMATION

Room Name	Daylight	Phone point	Access	3 Phase	Dimmer lights	Wireless or hard wired	Length m	Width m	Area sqm	Ceiling height m
Events Centre	No	Yes	Direct	Yes	No	Yes	13.8	20.7	285.66	6.1
Oak	Yes	Yes	Direct	Yes	Yes	Yes	12.8	12.6	161.3	5.18
Crown	Yes	Yes	Lift/Stairs	No	Yes	Yes	12.62	6.7	84.55	3.59
Wedgewood	Yes	Yes	Lift/Stairs	No	Yes	Yes	12.55	6.7	84.16	3.59
Minster	Yes	Yes	Direct	No	Yes	Yes	11.15	7.52	83.8	5.18
Ebor	Yes	Yes	Direct	No	Yes	Yes	11.2	8.6	96.3	5.18
Leeman	Yes	Yes	Direct	No	No	Yes	4.64	6.94	32.2	3.13
Dante	Yes	Yes	Direct	No	No	Yes	3.59	6.33	22.7	3.13
Jorvik	Yes	Yes	Lift/Stairs	No	Yes	Yes	8.84	7.32	64.73	2.8
Tiles	Yes	Yes	Stairs	No	No	Yes	10.5	5.8	60.9	3.6
Clifford	Yes	Yes	Direct	No	No	Yes	10.0	4.8	48.0	3.2

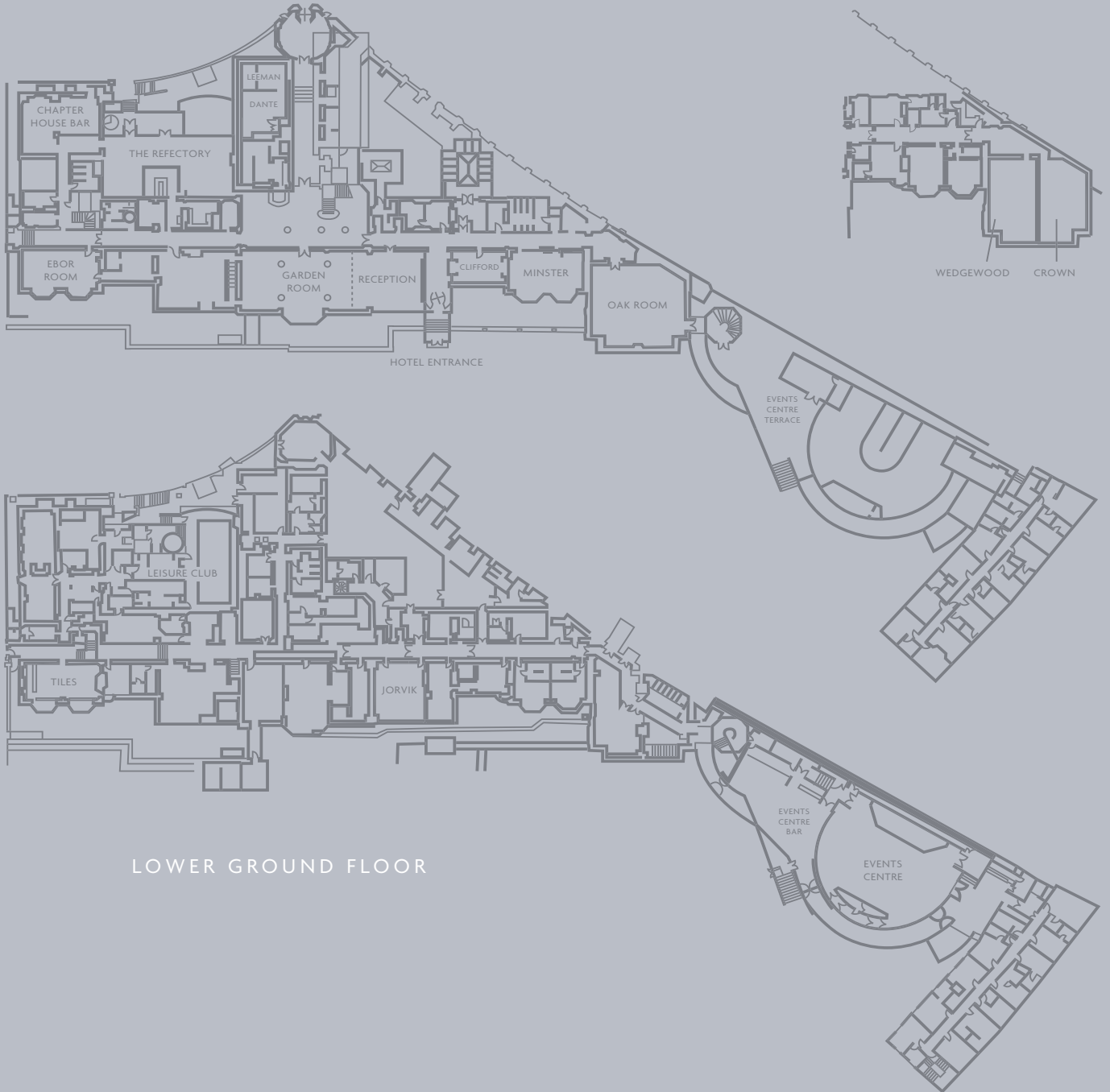
PRINCIPAL

YORK

FLOOR PLANS

GROUND FLOOR

FIRST FLOOR

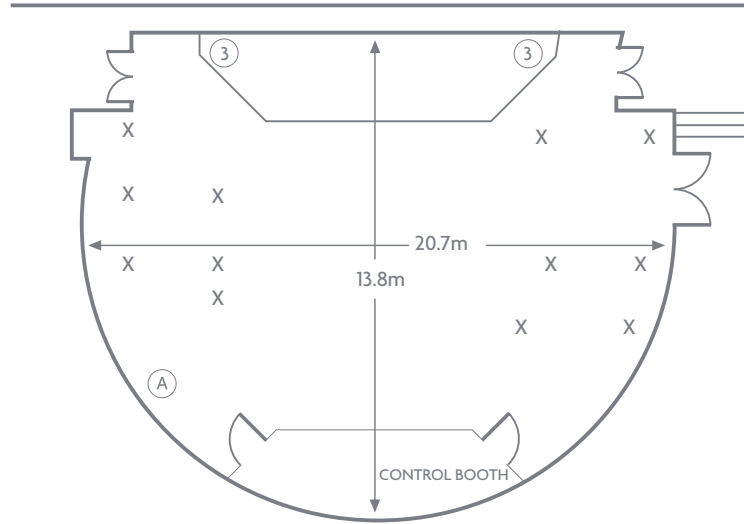


LOWER GROUND FLOOR

PRINCIPAL

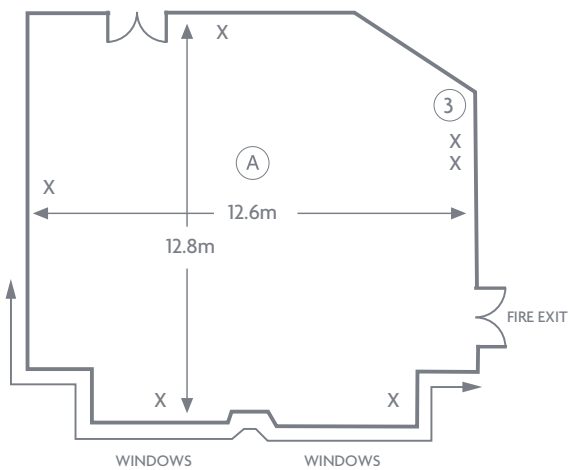
YORK

EVENTS CENTRE

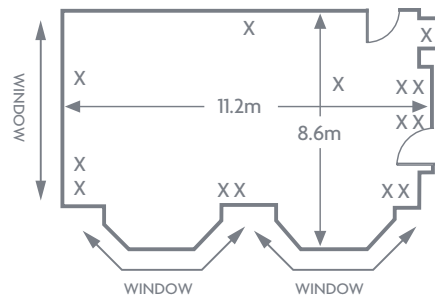


- X Double Power Point
- 3 3 Phase Power
- A Air Conditioning
- T Telephone Point

OAK ROOM



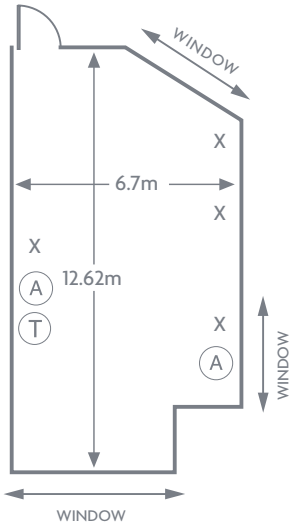
EBOR



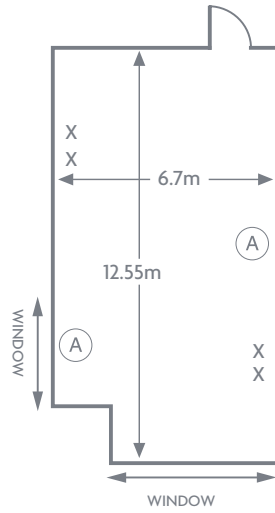
PRINCIPAL

YORK

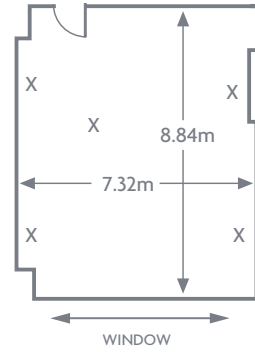
CROWN



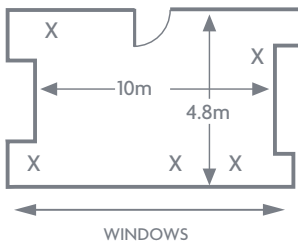
WEDGEWOOD



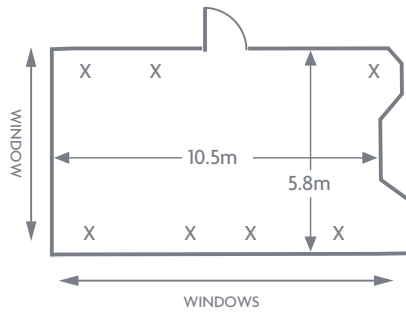
JORVIK



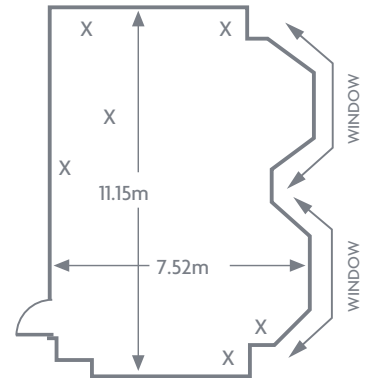
CLIFFORD



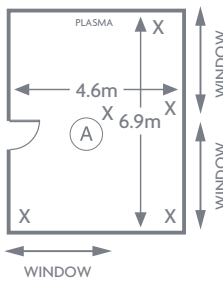
TILES



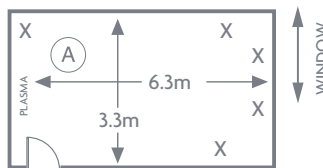
MINSTER



LEEMAN



DANTE



- X Double Power Point
- ③ 3 Phase Power
- Ⓐ Air Conditioning
- Ⓓ Telephone Point