

# PRINCIPAL

YORK

## CAPACITIES & DIMENSIONS



### CAPACITY

| Room Name     | Floor | Theatre | with BP | Cabaret | Classroom | Boardroom | U Shape | Dinner | Dinner dance | Wedding | Reception | Exhibition space sqm |
|---------------|-------|---------|---------|---------|-----------|-----------|---------|--------|--------------|---------|-----------|----------------------|
| Events Centre | LG    | 400     | 300     | 150     | 150       | -         | -       | 220    | 200          | -       | 220       | 285.66               |
| Oak           | GF    | 160     | 100     | 80      | 80        | 40        | 40      | 120    | 120          | 160     | 120       | 161.3                |
| Wedgewood     | 1F    | 85      | -       | 40      | 35        | 30        | 30      | 50     | -            | 80      | 50        | 84.55                |
| Crown         | 1F    | 85      | -       | 40      | 35        | 30        | 30      | 50     | -            | 80      | 50        | 84.16                |
| Minster       | GF    | 60      | -       | 32      | 24        | 25        | 24      | 40     | -            | 60      | 60        | 83.8                 |
| Ebor          | GF    | 60      | -       | 32      | 24        | 20        | 20      | 40     | -            | 60      | 60        | 96.3                 |
| Leeman        | GF    | 20      | -       | -       | -         | 14        | -       | -      | -            | -       | -         | 14.52                |
| Dante         | GF    | 20      | -       | -       | -         | 12        | -       | -      | -            | -       | -         | -                    |
| Jorvik        | LG    | 50      | -       | 32      | 24        | 20        | 20      | -      | -            | -       | -         | 64.73                |
| Tiles         | LG    | 30      | -       | -       | 20        | 20        | 14      | -      | -            | -       | -         | -                    |
| Clifford      | GF    | 20      | -       | -       | -         | 14        | 8       | -      | -            | -       | -         | 48                   |

### TECHNICAL INFORMATION

| Room Name     | Daylight | Phone point | Access      | 3 Phase | Dimmer lights | Wireless or hard wired | Length m | Width m | Area sqm | Ceiling height m |
|---------------|----------|-------------|-------------|---------|---------------|------------------------|----------|---------|----------|------------------|
| Events Centre | Yes      | Yes         | Direct      | Yes     | No            | Yes                    | 13.8     | 20.7    | 285.66   | 6.1              |
| Oak           | Yes      | Yes         | Direct      | Yes     | Yes           | Yes                    | 12.8     | 12.6    | 161.3    | 5.18             |
| Wedgewood     | No       | Yes         | Lift/Stairs | No      | Yes           | Yes                    | 12.62    | 6.7     | 84.55    | 3.59             |
| Crown         | Yes      | Yes         | Lift/Stairs | No      | Yes           | Yes                    | 12.55    | 6.7     | 84.16    | 3.59             |
| Minster       | Yes      | Yes         | Direct      | No      | Yes           | Yes                    | 11.15    | 7.52    | 83.8     | 5.18             |
| Ebor          | Yes      | Yes         | Direct      | No      | Yes           | Yes                    | 11.2     | 8.6     | 96.3     | 5.18             |
| Leeman        | Yes      | Yes         | Direct      | No      | No            | Yes                    | 4.64     | 6.94    | 32.2     | 3.13             |
| Dante         | Yes      | Yes         | Direct      | No      | No            | Yes                    | 3.59     | 6.33    | 22.7     | 3.13             |
| Jorvik        | Yes      | Yes         | Lift/Stairs | No      | Yes           | Yes                    | 8.84     | 7.32    | 64.73    | 2.8              |
| Tiles         | Yes      | Yes         | Stairs      | No      | No            | Yes                    | 10.5     | 5.8     | 60.9     | 3.6              |
| Clifford      | Yes      | Yes         | Direct      | No      | No            | Yes                    | 10.0     | 4.8     | 48.0     | 3.2              |

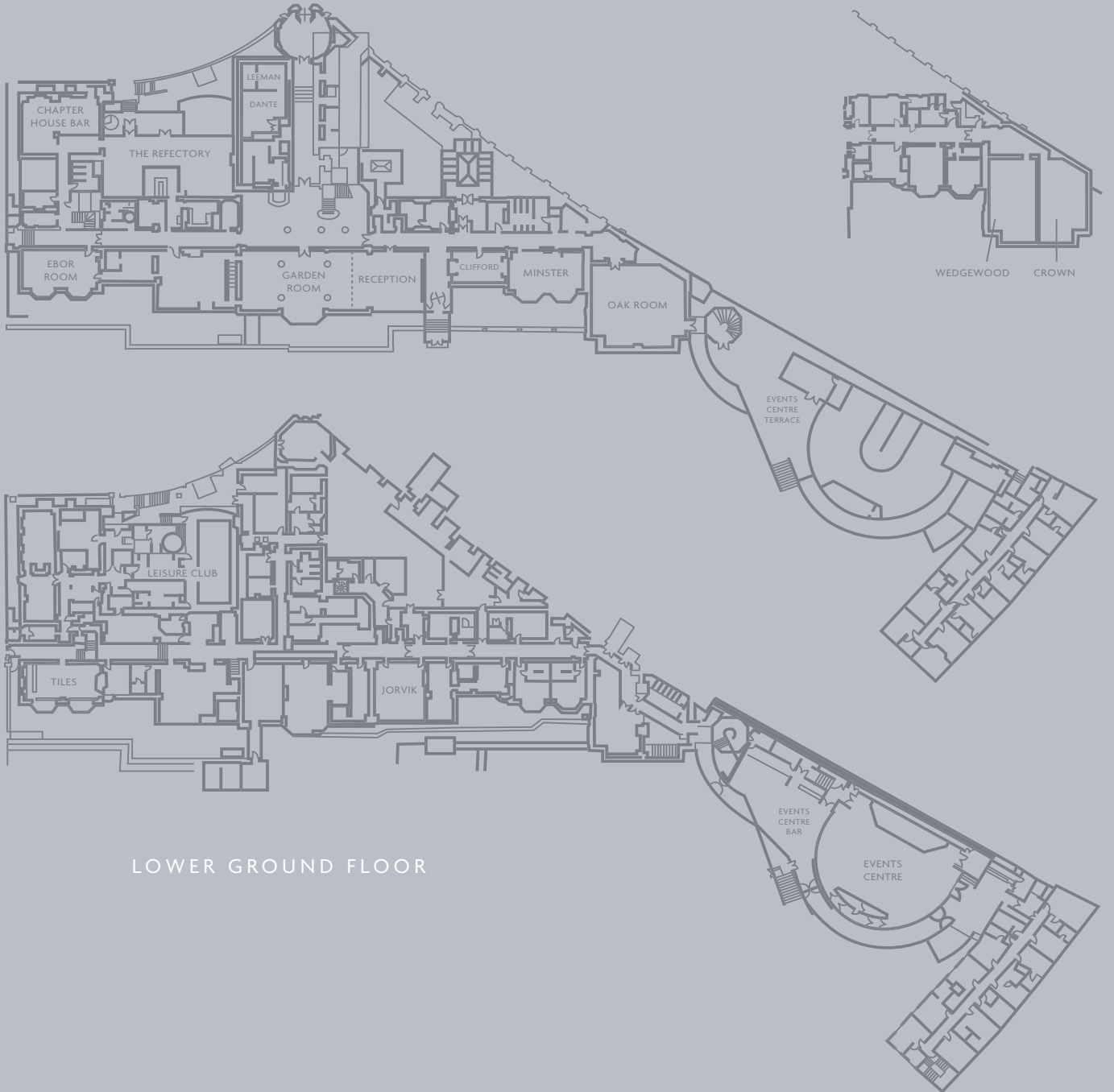
# PRINCIPAL

YORK

## FLOOR PLANS

GROUND FLOOR

FIRST FLOOR

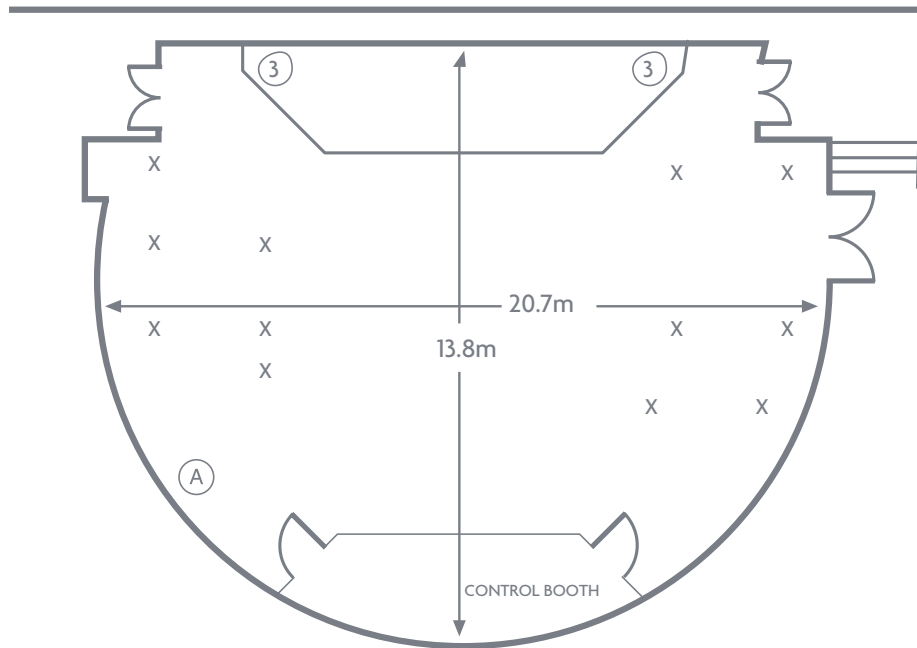


LOWER GROUND FLOOR

# PRINCIPAL

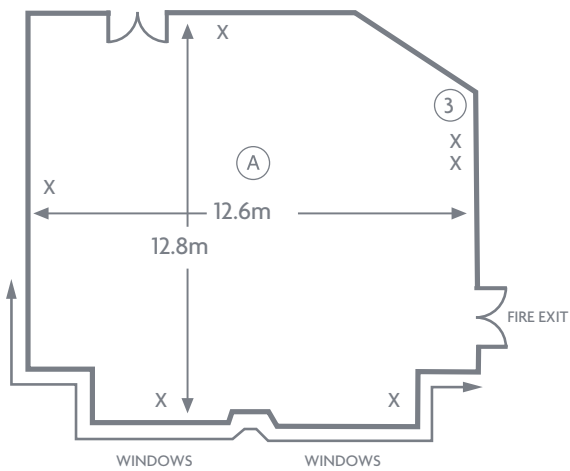
YORK

## EVENTS CENTRE

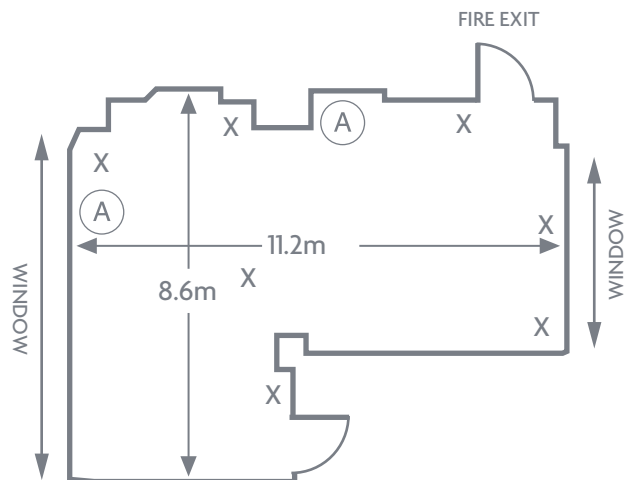


- X Double Power Point
- ③ 3 Phase Power
- Ⓐ Air Conditioning
- Ⓓ Telephone Point

## OAK ROOM



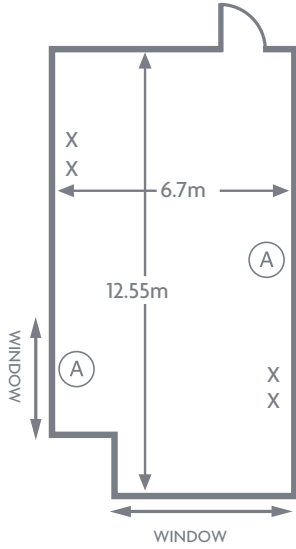
## EBOR



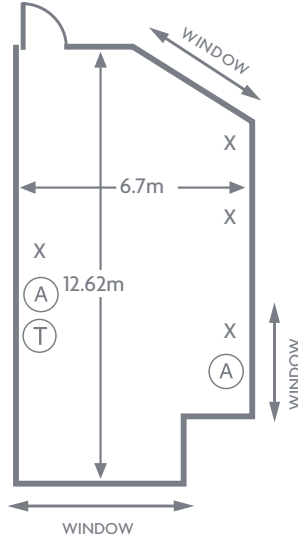
# PRINCIPAL

YORK

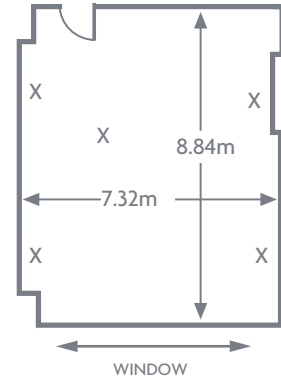
CROWN



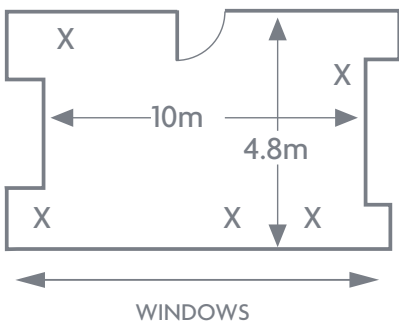
WEDGEWOOD



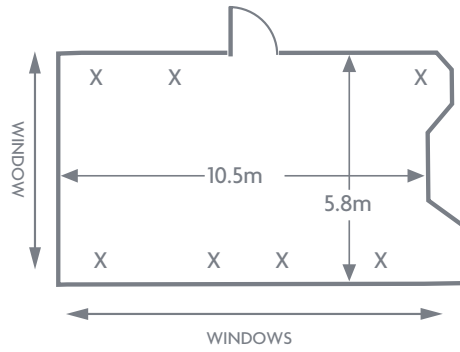
JORVIK



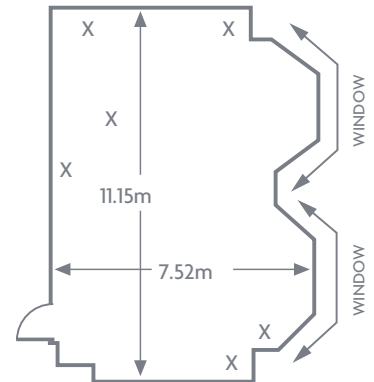
CLIFFORD



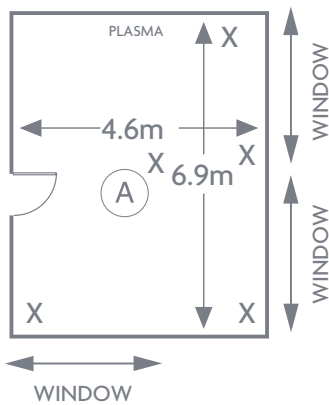
TILES



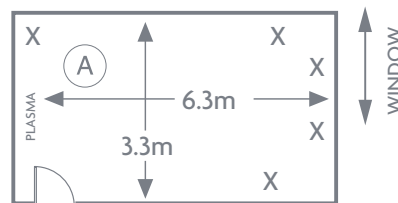
MINSTER



LEEMAN



DANTE



- X Double Power Point
- (3) 3 Phase Power
- (A) Air Conditioning
- (T) Telephone Point